



Parts Catalog

OptraImage 725 Parts Catalog

4036-205

- *Notices and Safety Information*

- *Parts Catalog*

- *Manuals Menu*

LEXMARK[™]

Lexmark and Lexmark with diamond design are trademarks of Lexmark International, Inc., registered in the United States and/or other countries.

Edition: May 2001

The following paragraph does not apply to any country where such provisions are inconsistent with local law: LEXMARK INTERNATIONAL, INC. PROVIDES THIS PUBLICATION "AS IS" WITHOUT WARRANTY OF ANY KIND, EITHER EXPRESS OR IMPLIED, INCLUDING, BUT NOT LIMITED TO, THE IMPLIED WARRANTIES OF MERCHANTABILITY OR FITNESS FOR A PARTICULAR PURPOSE. Some states do not allow disclaimer of express or implied warranties in certain transactions; therefore, this statement may not apply to you.

This publication could include technical inaccuracies or typographical errors. Changes are periodically made to the information herein; these changes will be incorporated in later editions. Improvements or changes in the products or the programs described may be made at any time.

Comments may be addressed to Lexmark International, Inc., Department D22A/032-2, 740 West New Circle Road, Lexington, Kentucky 40550, U.S.A or e-mail at ServiceInfoAndTraining@Lexmark.com. Lexmark may use or distribute any of the information you supply in any way it believes appropriate without incurring any obligation to you. You can purchase additional copies of publications related to this product by calling 1-800-553-9727. In other countries, contact your point of purchase.

Lexmark, Optra, and Lexmark with diamond design, are trademarks of Lexmark International, Inc., registered in the United States and/or other countries.

OptraImage is a trademark of Lexmark International, Inc.

PostScript is a registered trademark of Adobe Systems Incorporated.

Other trademarks are the property of their respective owners.

© Copyright Lexmark International, Inc. 2001.

All rights reserved.

UNITED STATES GOVERNMENT RESTRICTED RIGHTS

This software and documentation are provided with RESTRICTED RIGHTS. Use, duplication or disclosure by the Government is subject to restrictions as set forth in subparagraph (c)(1)(ii) of the Rights in Technical Data and Computer Software clause at DFARS 252.227-7013 and in applicable FAR provisions: Lexmark International, Inc., Lexington, KY 40550. U.S.A.

U.S.A. P/N 12G9077

**Service Manual P/N 12G9076
Group Reorder P/N 12G9075**

Notices and Safety Information

Safety Information

- This product is designed, tested and approved to meet strict global safety standards with the use of specific Lexmark components. The safety features of some parts may not always be obvious. Lexmark is not responsible for the use of other replacement parts.
- The maintenance information for this product has been prepared for use by a professional service person and is not intended to be used by others.
- There may be an increased risk of electric shock and personal injury during disassembly and servicing of this product. Professional service personnel should understand this and take necessary precautions.

Consignes de Sécurité

- Ce produit a été conçu, testé et approuvé pour respecter les normes strictes de sécurité globale lors de l'utilisation de composants Lexmark spécifiques. Les caractéristiques de sécurité de certains éléments ne sont pas toujours évidentes. Lexmark ne peut être tenu responsable de l'utilisation d'autres pièces de rechange.
- Les consignes d'entretien et de réparation de ce produit s'adressent uniquement à un personnel de maintenance qualifié.
- Le démontage et l'entretien de ce produit pouvant présenter certains risques électriques, le personnel d'entretien qualifié devra prendre toutes les précautions nécessaires.

Norme di sicurezza

- Il prodotto è stato progettato, testato e approvato in conformità a severi standard di sicurezza e per l'utilizzo con componenti Lexmark specifici. Le caratteristiche di sicurezza di alcune parti non sempre sono di immediata comprensione. Lexmark non è responsabile per l'utilizzo di parti di ricambio di altri produttori.
- Le informazioni riguardanti la manutenzione di questo prodotto sono indirizzate soltanto al personale di assistenza autorizzato.
- Durante lo smontaggio e la manutenzione di questo prodotto, il rischio di subire scosse elettriche e danni alla persona è più elevato. Il personale di assistenza autorizzato, deve, quindi, adottare le precauzioni necessarie.

Sicherheitshinweise

- Dieses Produkt und die zugehörigen Komponenten wurden entworfen und getestet, um beim Einsatz die weltweit gültigen Sicherheitsanforderungen zu erfüllen. Die sicherheitsrelevanten Funktionen der Bauteile und Optionen sind nicht immer offensichtlich. Sofern Teile eingesetzt werden, die nicht von Lexmark sind, wird von Lexmark keinerlei Verantwortung oder Haftung für dieses Produkt übernommen.
- Die Wartungsinformationen für dieses Produkt sind ausschließlich für die Verwendung durch einen Wartungsfachmann bestimmt.
- Während des Auseinandernehmens und der Wartung des Geräts besteht ein zusätzliches Risiko eines elektrischen Schlags und körperlicher Verletzung. Das zuständige Fachpersonal sollte entsprechende Vorsichtsmaßnahmen treffen.

General Information

The Lexmark™ OptraImage™ 725 is a high speed, multifunction scanner option that adds convenient, full function, copy, fax and network scan capabilities to the Lexmark Optra™ W810 printer.

Features

- 33 ppm monochrome scanner unit with single-pass duplex input
- Automatic document feeder with single-pass duplex
- Flatbed scanning
- Accepts documents up to A3/11 x 17 inch

This parts catalog assists in identifying Lexmark serviceable parts for the OptraImage 725 scanner. Use this document as a supplement to the manufacturer's service manual.

Parts Catalog

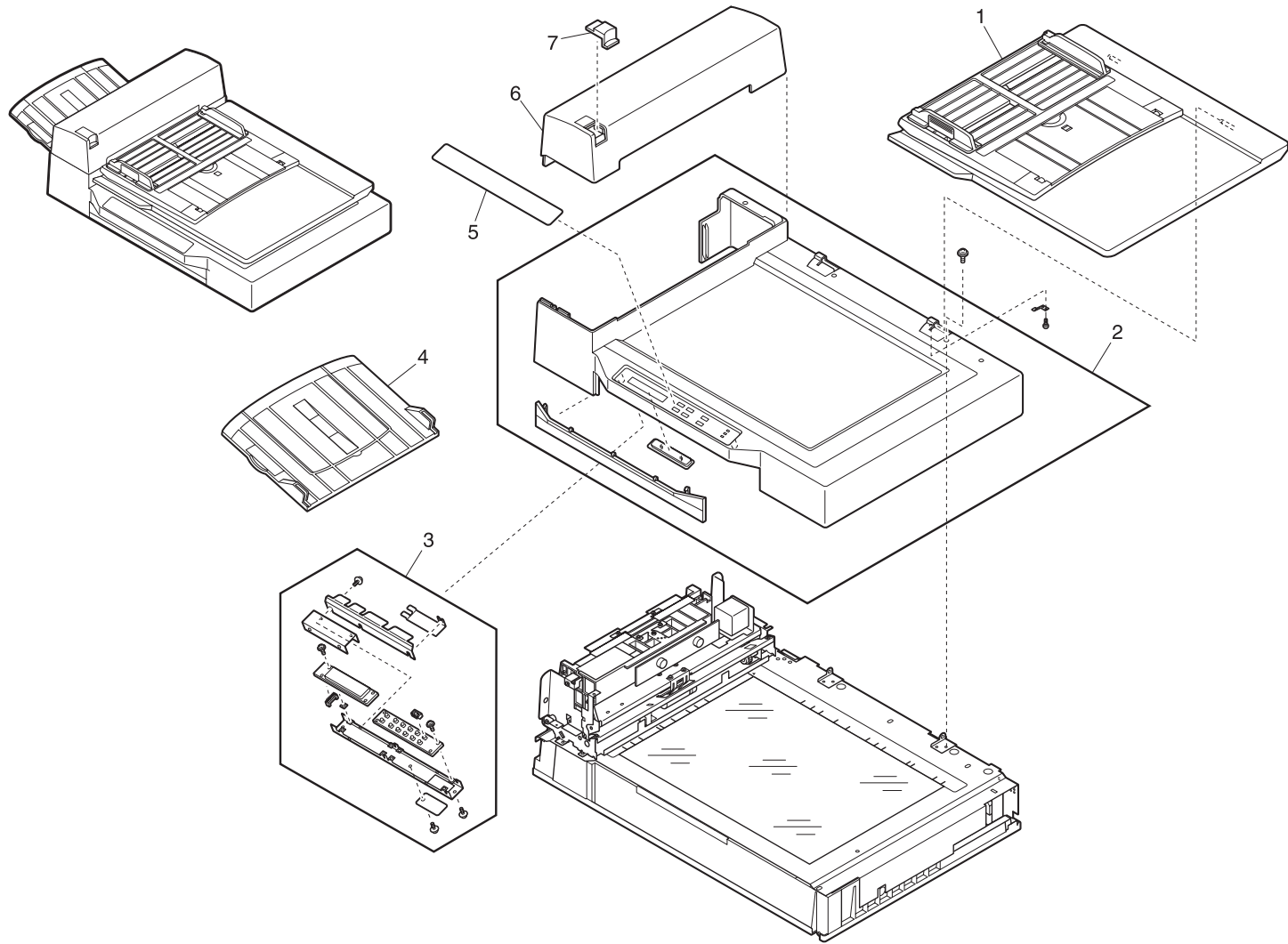
Preface

Use this parts catalog to identify illustrations and part numbers for individual FRUs for the OptraImage 725.

How To Use This Parts Catalog

- **SIMILAR ASSEMBLIES:** If two assemblies contain a majority of identical parts, they are shown on the same list. Common parts are shown by one index number. Parts peculiar to one or the other of the assemblies are listed separately and identified by description.
- **NS: (Not Shown)** in the Asm-Index column indicates that the part is procurable but is not pictured in the illustration.

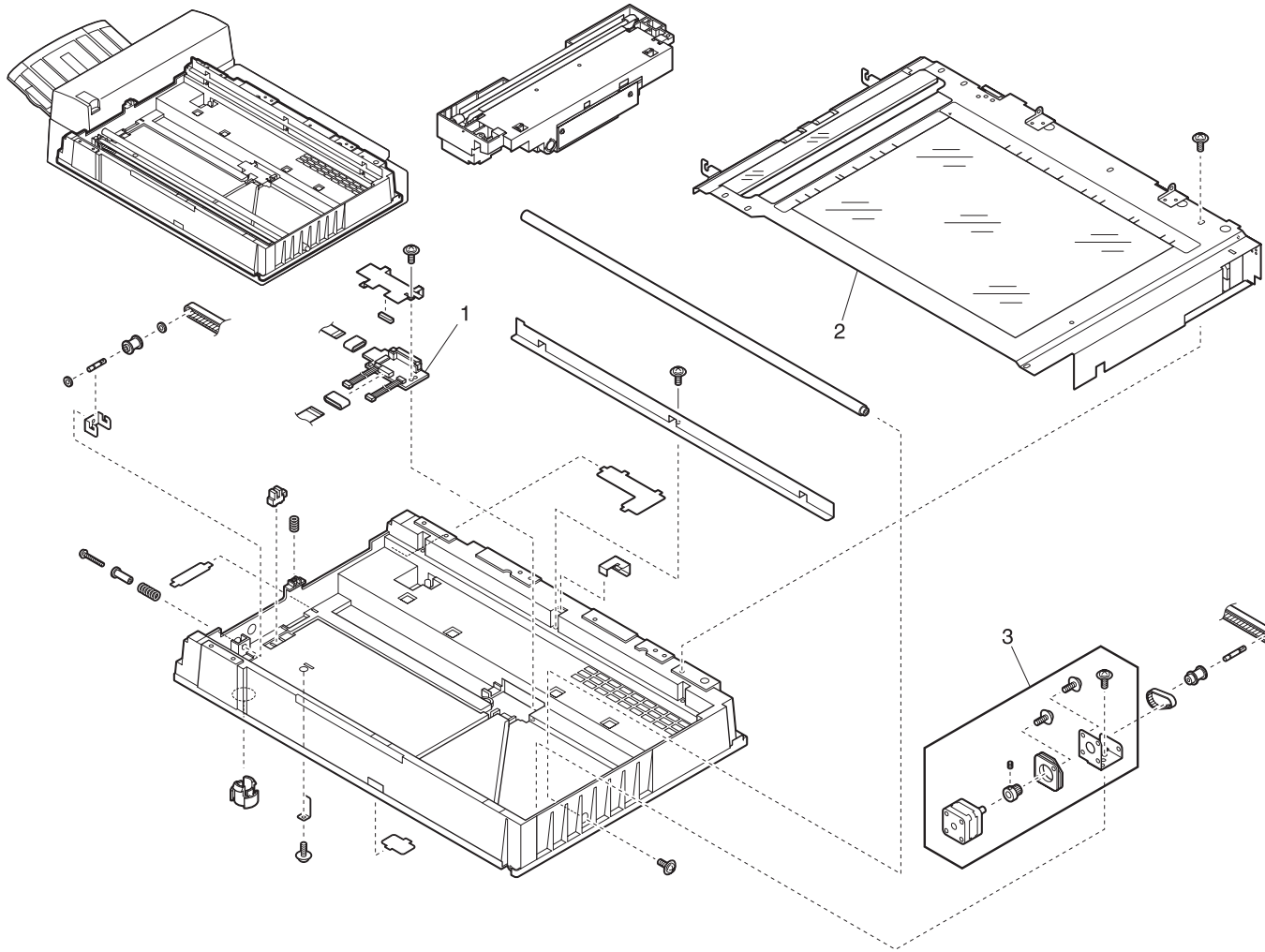
Assembly 1: Covers



Assembly 1: Covers

Asm-Index	Part Number	Units	Description
1-1	12G6197	1	Lid Assembly, Flatbed Scanner
2	12G6283	1	Cover Assembly, Upper
3	12G6196	1	Panel Assembly, Operator
4	12G1837	1	Stacker, Paper Exit
5	12G6281	1	Cover, Operator Panel Stick-On
6	12G6285	1	Cover, ADF
7	12G6286	1	Button, ADF Cover Release

Assembly 2: Upper Flatbed



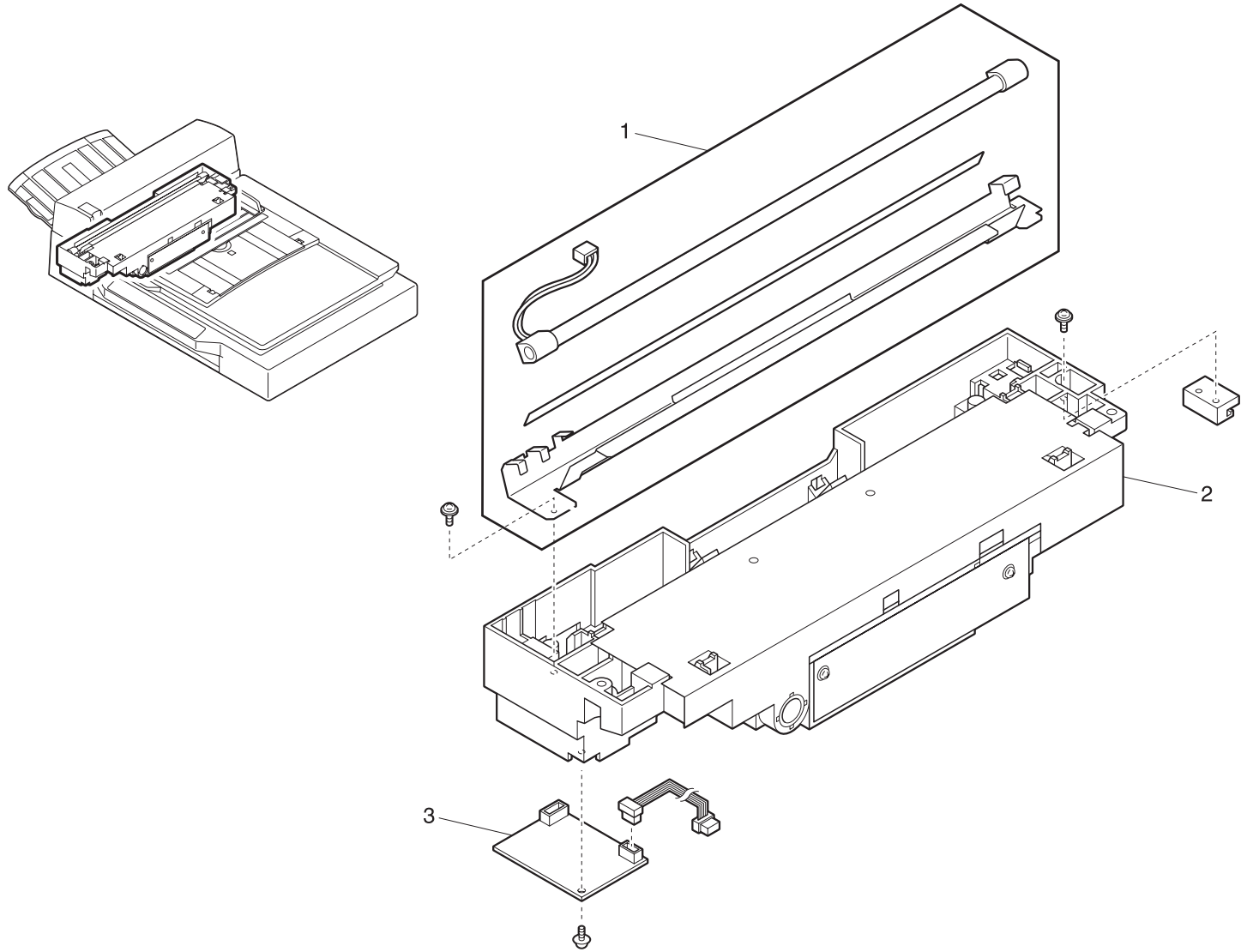
Assembly 2: Upper Flatbed

Asm-Index	Part Number	Units	Description
1-1	12G6195	1	Card Assembly, Junction
2	12G6995	1	Cover, Glass
3	12G6275	1	Motor Assembly, Carrier

Assembly 3: Electronics

Asm-Index	Part Number	Units	Description
1-1	12G9008	1	Cable, Charged Couple Device
2	12G9007	1	Cable, ADF
3	12G6279	1	Card Assembly, Memory
4	12G6194	1	Card Assembly, Controller
5	12G6292	1	Cable, DC
6	12G6193	1	Power Supply, Universal
7	1339518	1	Power Cord, Australia
7	1339519	1	Power Cord, United Kingdom
7	1339520	1	Power Cord, Spain
7	1339521	1	Power Cord, Israel
7	1339522	1	Power Cord, Switzerland
7	1339523	1	Power Cord, South Africa
7	1339524	1	Power Cord, Italy
7	1339525	1	Power Cord, Denmark
8	12G6280	1	Fan, Cooling

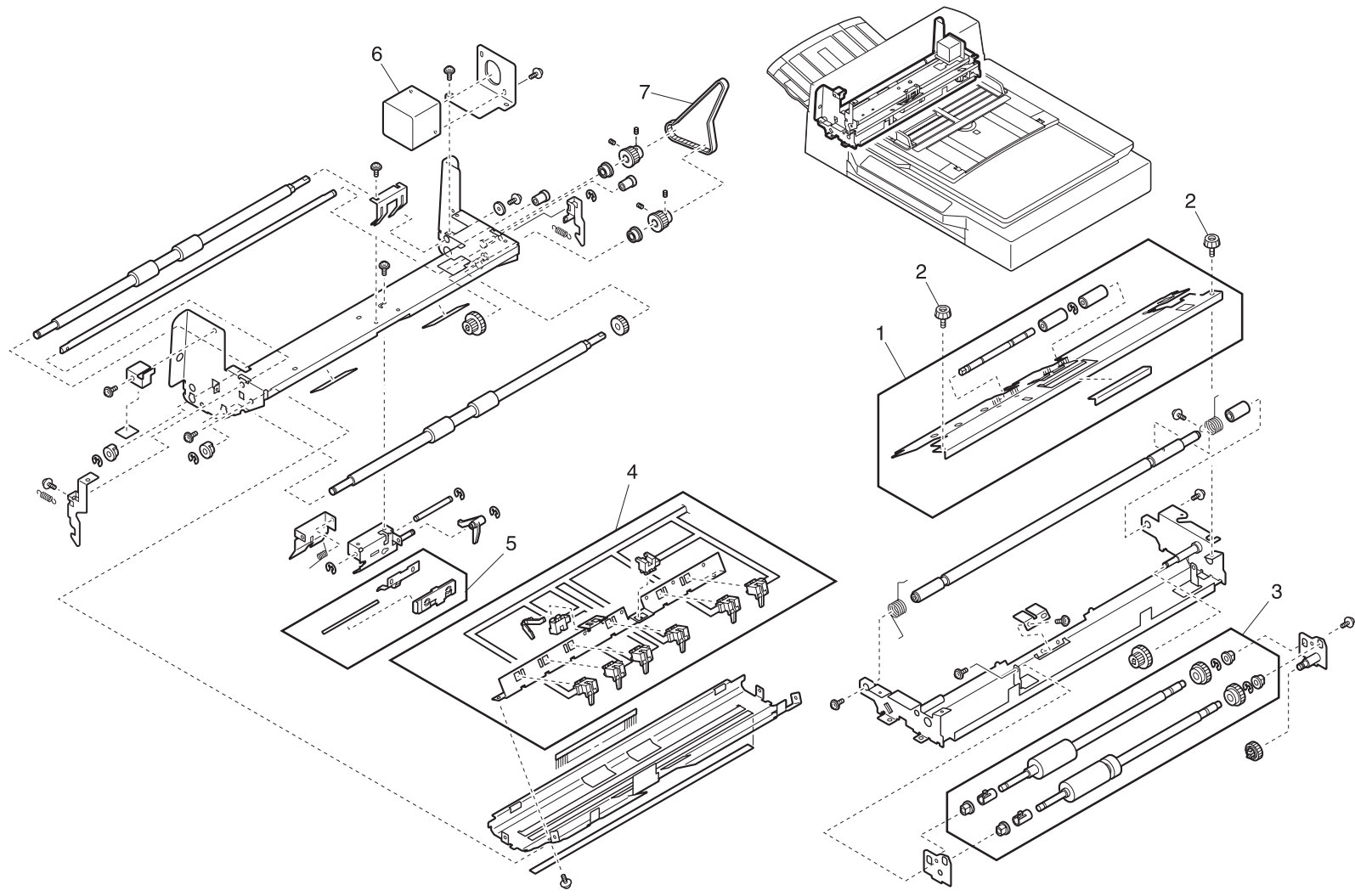
Assembly 4: Front Side Optical Unit



Assembly 4: Front Side Optical Unit

Asm-Index	Part Number	Units	Description
1-1	12G6274	1	Lamp, Front
2	12G6273	1	Unit Assembly, Front Side Optical
3	12G9031	1	Card Assembly, Front Lamp Invertor

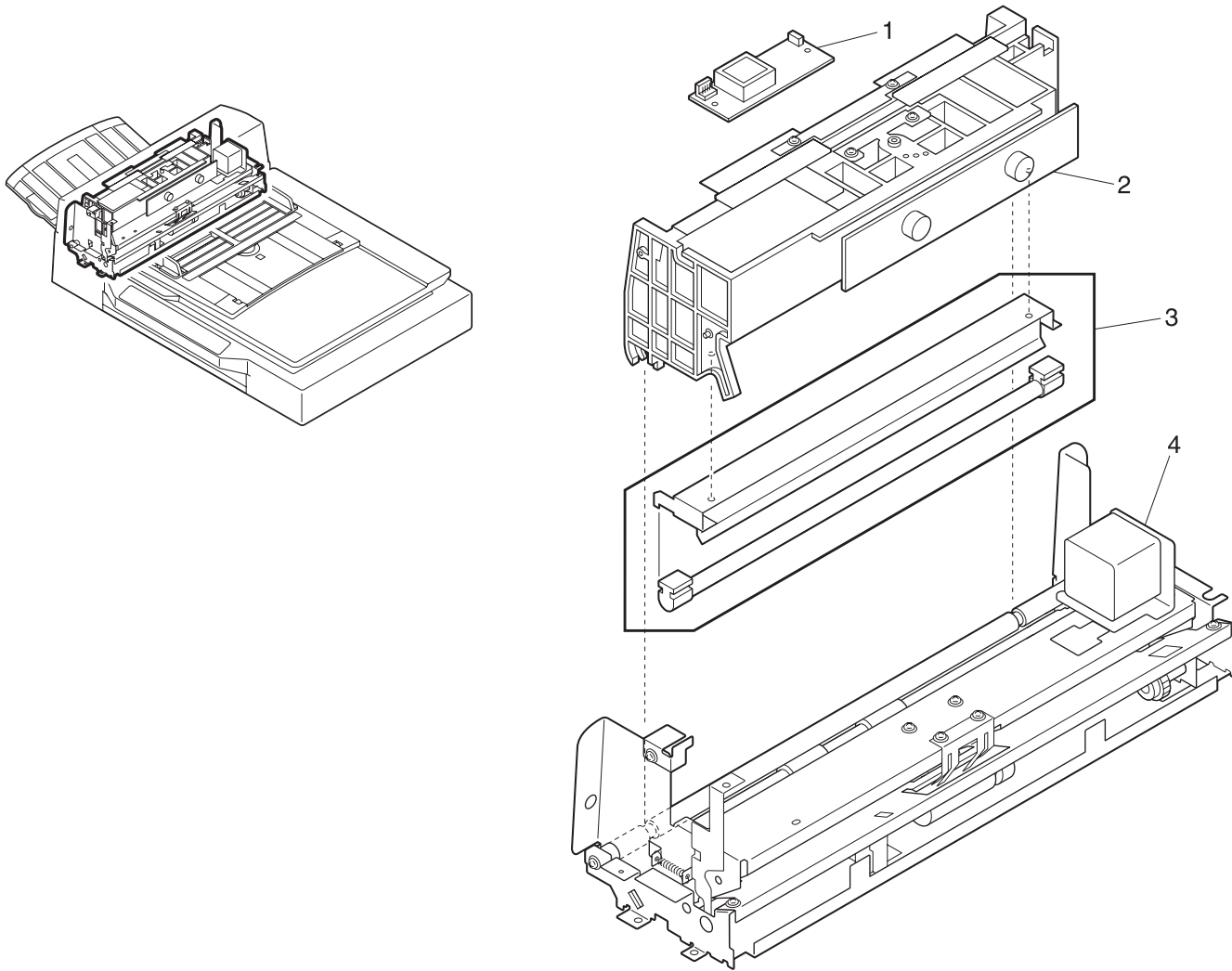
Assembly 5: Auto Document Feeder



Assembly 5: Auto Document Feeder

Asm-Index	Part Number	Units	Description
1-1	12G6199	1	Guide Assembly, Paper
2	12G9025	1	Thumbscrew
3	12G1836	1	Roller Assembly, Pick
4	12G6271	1	Sensor Assembly, Paper
5	12G1835	1	Pad Assembly, Pick Roller
6	12G6270	1	Motor Assembly, ADF
7	12G6272	1	Belt, ADF

Assembly 6: Back Side Optical Unit



Assembly 6: Back Side Optical Unit

Asm-Index	Part Number	Units	Description
1-1	12G9032	1	Card Assembly, Back Lamp Invertor
2	12G6276	1	Unit Assembly, Back Side Optical
3	12G6277	1	Lamp, Back
4	12G6198	1	Unit Assembly, ADF

Assembly 7: Miscellaneous

Asm-Index	Part Number	Units	Description
N/S	12G0019	1	Cable Assembly, SCSI with Toroid
NS	12G3753	1	Card Assembly, INA, US/Europe 33.6 MHz
NS	12G3756	1	Card Assembly, INA, Israel 33.6 MHz
NS	12G3757	1	Card Assembly, INA, South Africa 33.6 MHz
NS	12G1762	1	Assembly, MFP Operator Panel
NS	12G0182	1	Power Supply, MFP Operator Panel